

DIVERSIFIED AIR SYSTEMS, INC.

MAXFLO™

Fume Arms



- *No internal adjustment*
- *Smooth tubes, low static pressure*
- *Air volume damper included*
- *Self-locking joints*
- *2 grab handles for arm positioning*
- *Hood diverter increases capture velocity*
- *Shipped fully assembled*
- *5 different diameters*
- *5 different tube materials*

Superior technology generating substantial operating savings

MAXFLO™

High-Productivity Innovative Products

MAXFLO *Articulated fume extractor arm*

Overhead canopies are a thing of the past. Workers were actually breathing the dust and smoke-filled air as it was travelling upward toward the canopy. Source capture is the safe and the right way to eliminate the harmful pollutants significantly that are the primary cause of lung diseases. MAXFLO fume arms are built to reduce the presence of industrial indoor air particles. From laboratories right up to the large welding shops, MAXFLO fume arms will get the job done.

Industrial Air Specialists

With our headquarters in Louisville, Kentucky, Diversified Air Systems, Inc. has been providing quality air solutions to industrial and commercial facilities since 1981. During our more than twenty-nine years of operation, Diversified Air Systems, Inc. has established two important company traditions: offering state-of-the-art equipment at competitive prices and achieving long-term customer satisfaction.

The staff of Diversified Air Systems, Inc. includes five application engineers, with a combined experience of more than 75 years in the air filtration and HVAC industry. Whether your facility requires an air filtration system for dust, mist, or fumes, or an HVAC solution to meet ventilation needs, Diversified Air Systems, Inc. has the equipment and expertise to meet the need.

Services include air quality analysis, system design, equipment sales, turnkey installation, onsite servicing, and supply of replacement filters and accessories.

Other Filtration Systems available:

Air Cleaners

Containment Booths

Decontamination Booths

Downdraft Tables

Dust Collectors

Fans and Blowers

Gas & Odor Control

High Vacuum Systems

Mist Collectors

Paint Booths

Stainless Steel Collectors

Vehicle Exhaust Systems

Wet Dust Collectors



MAXFLO™ A FULL LINE OF ARTICULATED FUME EXTRACTOR ARMS

Efficient, robust and easy to handle

Most of our competitors do not include these standard features:

- Highly functional design facilitates fume arm handling and ease of movement.
- All supports and articulation joints are outside of the fume arm. The inside is smooth, without any obstacles that could reduce air flow, accumulate deposits and increase internal friction, which consume energy unnecessarily.
- External supports and articulation joints are readily accessible, easy to adjust and require no maintenance.
- Air diverter in hood significantly increases dust and smoke capture velocity.
- The unique design of the robust and durable top pivot made of steel makes 360° rotation easy.
- The MAXFLO steel tube fume arm is far more spark-resistant than constructions with a flexible hose.
- All MAXFLO arms are delivered pre-assembled and adjusted, ready for rapid installation and operation.

THE MAXFLO FUME EXTRACTOR ARM HAS ARRIVED...

MULTI-APPLICATION EQUIPMENT

- Welding • Gouging • Dusts • Cutting • Grinding
- Fumes • Extrusion lines • Gases



Table/bench mount model

TYPICAL APPLICATIONS FOR THE MAXFLO FUME ARMS



3" [75MM] AND 4" [100MM]

- Laboratories
- Research facilities
- Beauty parlors
- Small dust applications
- Museums
- Soldering
- Light welding

3" arms available in 3' [1 m] and 5' [1.5 m] models

4" arms available in 5' [1.5 m], 7' [2 m] and 8' [2.5 m] models

5" [125MM]

6" [160MM]

8" [200MM]

- Medium to heavy welding
- Heavy smoke
- Plasma cutting
- Grinding and sanding
- Foundries
- Large dusts applications
- Gouging

These arms are available in 7' [2m], 10' [3m] and 14' [4m] lengths



Hanging model

STAINLESS STEEL ARMS (ALL DIAMETERS AND ALL LENGTHS) SPECIALLY DESIGNED FOR:

- Pharmaceutical • Food processing
- Caustics • Corrosive gases
- Solvent fumes • Laboratories
- High temperature • High humidity
- Aggressive applications
- F.D.A. hose available



304 stainless steel model (luster finish)

Also available in 316 (brushed finish)



Telescopic model

Ideal for:

- Confined space (cubicles)
- Teaching facilities
- Low-ceiling applications

TELESCOPIC 6" [160MM] FUME ARMS

Fume arm tubes are made of stainless steel and steel with cast aluminum joints, which include friction discs and are fully adjustable. The arms have a handle that completely encircles the hood to facilitate easy positioning from all sides. The hood diameter is 13" [33 cm]. All joints include 300° F (150° C) hoses which are gear clamped to the tubes. Adjustable internal teflon rings permit easy and smooth telescoping action.

Please call 800-264-8958

OUTSTANDING MAXFLO STANDARD FEATURES



GENERAL DESCRIPTION

Standard fume arm tubes are made of steel with external cast aluminum joints, which include friction discs and are fully adjustable. The arms have a handle that completely encircles the hood to facilitate easy positioning. Aluminum hood diameters vary from 7" on the 3" arms, to 13" on the 6" and the 8" arms. All joints include a 300 °F (150 °C) hoses, which are gear clamped to the tubes. All hoods may be fitted with an optional light kit. The hood diverter (except on 3" arms) increases capture velocity. Fan start/stop switches may also be installed on fume hoods.

MAXFLO self-locking arms can be combined with several accessories to provide the best solution to specific problems.

A large variety of hoods can be manufactured to suit particular requirements. Tubes are also available in PVC, aluminium, 304 stainless steel (luster finish) or 316 stainless steel (brushed finish). Custom colors for arm tubes are available on request (minimum quantity required).

Please call 800-264-8958

MODEL NUMBERS

HANGING AND TABLE/BENCH MOUNT

CHART 1

Hanging	Bench mount	Stainless steel hanging	Stainless steel bench mount	Arm diameter [inches] / [mm]	Arm length [feet] / [m]	Standard hood diameter [inches] / [mm]	Optional hood diameter [inches] / [mm]	Weight [lbs] / [kg]
FA-1HPG3-03	FA-1PPG3-03	FA-1HSS3-03	FA-1PSS3-03	3 / 75	3 / 1.0	7 / 185	–	14 / 6.3
FA-1HPG3-05	FA-1PPG3-05	FA-1HSS3-05	FA-1PSS3-03	3 / 75	5 / 1.5	7 / 185	–	16 / 7.2
FA-1HPG4-05	FA-1PPG4-05	FA-1HSS4-05	FA-1PSS4-05	4 / 100	5 / 1.5	8 / 200	–	17 / 7.7
FA-1HPG4-07	FA-1PPG4-07	FA-1HSS4-07	FA-1PSS4-07	4 / 100	7 / 2.0	8 / 200	–	19 / 8.6
FA-1HPG4-08	FA-1PPG4-08	FA-1HSS4-08	FA-1PSS4-08	4 / 100	8.5 / 2.5	8 / 200	–	22 / 10
FA-1HPG5-07	FA-1PPG5-07	FA-1HSS5-07	FA-1PSS5-07	5 / 125	7 / 2.0	10 / 250	16 / 400	38 / 17.2
FA-1HPG5-10	FA-1PPG5-10	FA-1HSS5-10	FA-1PSS5-10	5 / 125	10 / 3.0	10 / 250	16 / 400	43 / 19.5
FA-1HPG5-14	FA-1PPG5-14	FA-1HSS5-14	FA-1PSS5-14	5 / 125	14 / 4.0	10 / 250	16 / 400	47 / 21.3
FA-1HPG6-07	FA-1PPG6-07	FA-1HSS6-07	FA-1PSS6-07	6 / 160	7 / 2.0	13 / 315	20 / 500	44 / 20
FA-1HPG6-10	FA-1PPG6-10	FA-1HSS6-10	FA-1PSS6-10	6 / 160	10 / 3.0	13 / 315	20 / 500	52 / 23.5
FA-1HPG6-14	FA-1PPG6-14	FA-1HSS6-14	FA-1PSS6-14	6 / 160	14 / 4.0	13 / 315	20 / 500	60 / 27.2
FA-1HPG8-07	FA-1PPG8-07	FA-1HSS8-07	FA-1PSS8-07	8 / 200	7 / 2.0	13 / 315	20 / 500	57 / 26
FA-1HPG8-10	FA-1PPG8-10	FA-1HSS8-10	FA-1PSS8-10	8 / 200	10 / 3.0	13 / 315	20 / 500	66 / 30
FA-1HPG8-14	FA-1PPG8-14	FA-1HSS8-14	FA-1PSS8-14	8 / 200	14 / 4.0	13 / 315	20 / 500	74 / 33.5

Telescopic fume arm 6" [160 mm] only

CHART 2

Model	Minimum reach [inches] / [mm]	Maximum reach [inches] / [mm]	Standard hood diameter [inches] / [mm]	Optional hood diameter [inches] / [mm]	Weight [lbs] / [kg]
FA-1TPG6-05	48 / 1200	60 / 1500	13 / 315	20 / 500	45 / 20
FA-1TPG6-06	48 / 1200	72 / 1800	13 / 315	20 / 500	52 / 24
FA-1TPG6-08	72 / 1800	96 / 2400	13 / 315	20 / 500	68 / 31

Recommended air flow

CHART 3

Arm diameter [inches] / [mm]	CFM	M ³ /Hr
3 / 75	100 / 150	170 / 255
4 / 100	125 / 200	210 / 340
5 / 125	350 / 500	600 / 850
6 / 160	500 / 750	850 / 1275
8 / 200	800 / 1000	1350 / 1700

Recommended fan selection

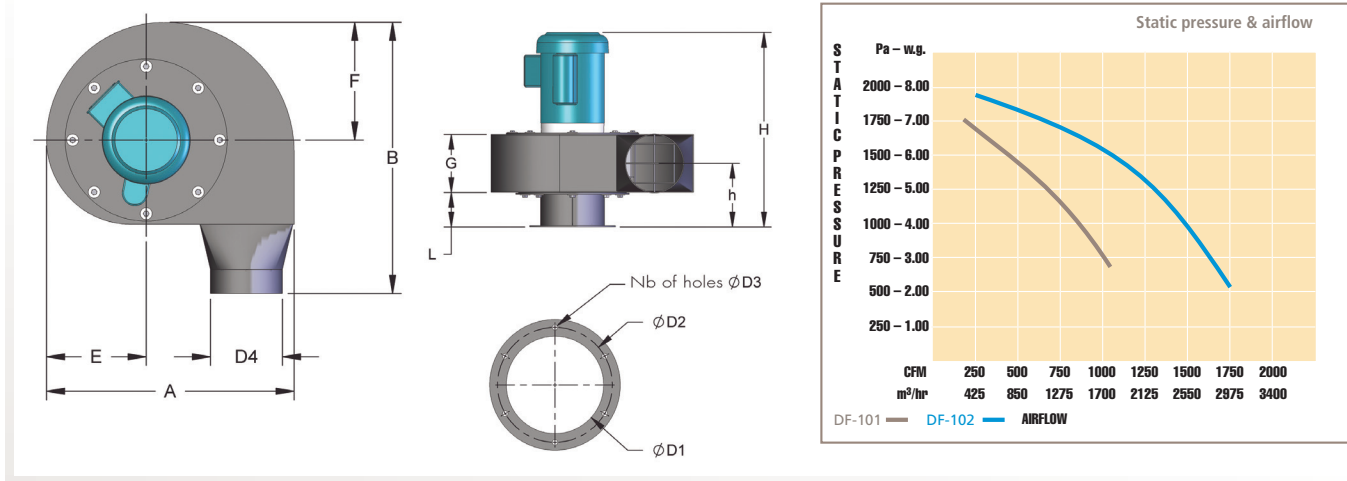
CHART 4

Arm diameter [inches] / [mm]	Fan model	HP / KW
3 / 75	DFR-18	0.33/0.25
4 / 100	DFR-19	0.33/0.25
5 / 125	DFR-111	1/0.75
6 / 160	DF-101	1/0.75
8 / 200	DF-102	2/1.50

Please call 800-264-8958

MAXDRIVE FANS (3450 R.P.M.)

Backward inclined (recommended for 6" and 8" diameter arms [160mm and 200mm])



Fan dimensions

CHART 5

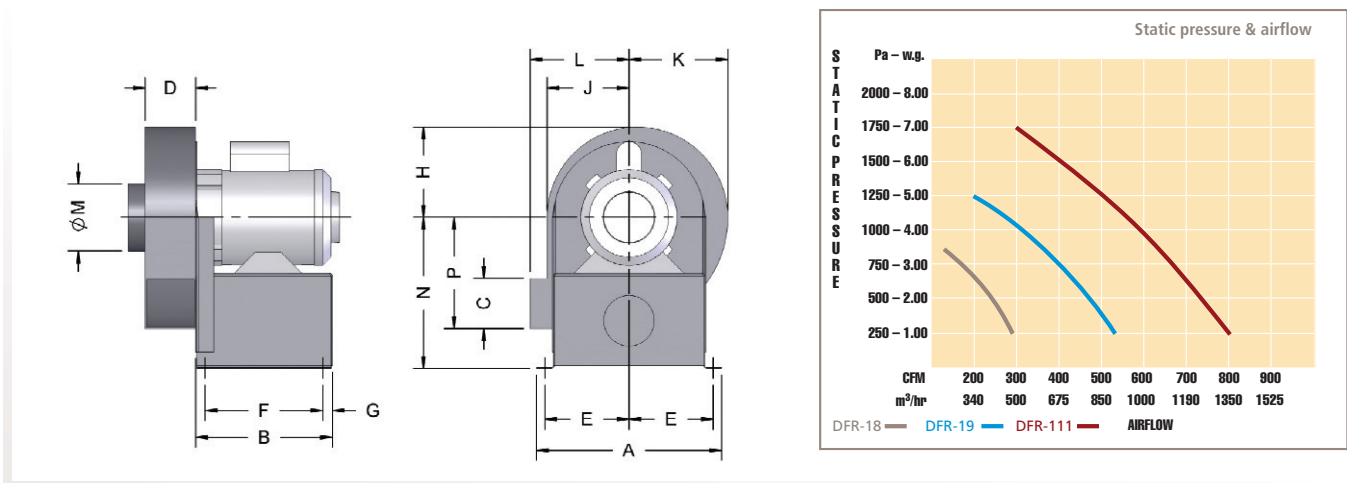
Model	Power [HP]	Dimensions [inches] / [mm]													Weight [lbs] / [kg]
		A	B	E	F	H	L	G	h	d1	d2	d3	d4	Nb	
DF-101	1 / 0.75	20.2 / 513	22.6 / 574	8.3 / 211	9.8 / 249	21.1 / 536	3.9 / 99	5.9 / 150	6.9 / 175	6.25 / 160	7.69 / 195	0.4 / 9	6 / 198	6	70 / 31.8
DF-102	2 / 1.50	22.7 / 577	24.8 / 630	9.2 / 234	11 / 279	24.8 / 630	4.9 / 124	6.3 / 160	7.4 / 188	8 / 200	9.69 / 246	0.4 / 9	8 / 249	8	82 / 37.3

Electrical note: Motors are available in all voltages. Specify on order.

Technical note: Refer to MAXDRIVE fan leaflet for complete data.

Recommended fans above are designed for arrangement as shown on page 9 of this leaflet.

Radial blade (recommended for 3", 4" and 5" diameter arms [75mm, 100mm and 125mm])



Fan dimensions

CHART 6

Model	[HP] / [KW]	Dimensions [inches] / [mm]													Weight [lbs] / [kg]	
		A	B	C	D	E	F	G	H	J	K	L	M	N		P
DFR-18	0.33 / 0.25	11 / 279	8 / 203	8 / 203	3 / 76	5 / 127	7 / 178	0.5 / 13	5.38 / 137	4.88 / 124	5.88 / 149	5.88 / 149	4 / 102	6.63 / 168	9 / 229	44 / 20
DFR-19	0.33 / 0.25	12.13 / 308	8 / 203	3.5 / 89	3.5 / 89	5.63 / 143	7 / 178	0.5 / 13	6.38 / 162	5.75 / 146	6.88 / 175	6.75 / 171	5 / 127	7.5 / 191	9.88 / 251	46 / 21
DFR-111	1 / 0.75	14.75 / 375	9 / 229	4 / 102	3.5 / 89	6.88 / 175	7.5 / 191	0.75 / 19	7.25 / 184	6.5 / 165	8 / 203	7.63 / 194	6 / 152	8.63 / 219	11.75 / 298	62 / 28

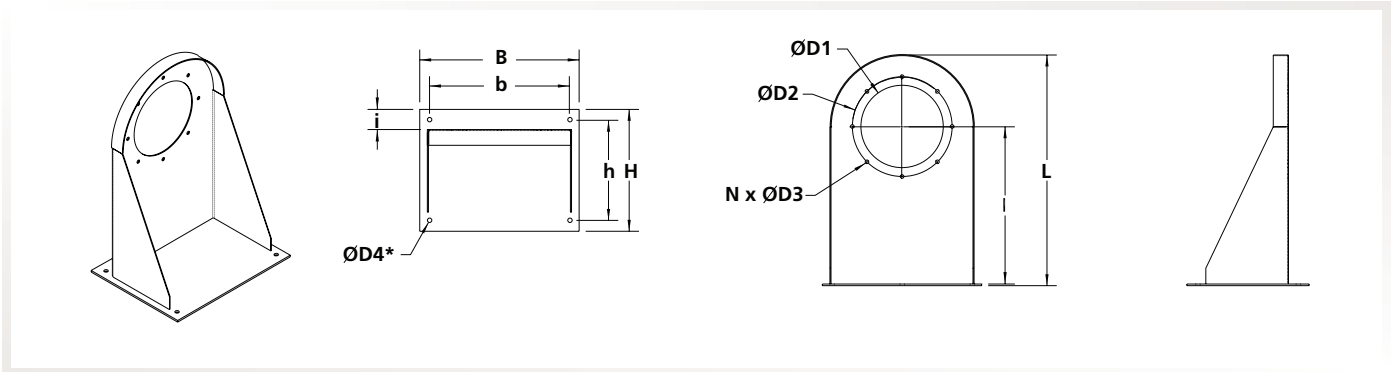
Electrical note: Motors are available in all voltages. Specify on order.

Recommended fans above are designed for arrangement as shown on page 9 of this leaflet.

Please call 800-264-8958

MAXFLO FUME ARM WALL AND BENCH MOUNTING BRACKET

Brackets shown below must be ordered separately.



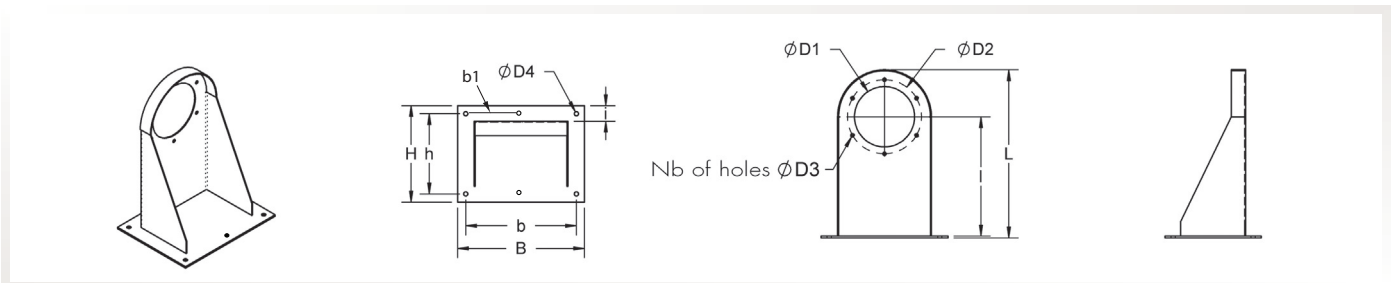
Bracket shown above is designed to support arm only.

Arm bracket dimensions

CHART 7

Bracket type		Dimensions [inches] / [mm]													Weight [lbs] / [kg]
Painted steel	Stainless steel	Arm Diameter [inches] / [mm]	D1	D2	N	D3	D4	L	I	H	h	B	b	i	
WBA-1003	WBA-1SS3	3 / 75	3.00 / 75	4.38 / 111	4	0.28 / 7	0.33 / 8	6.69 / 170	3.83 / 97	3.94 / 100	2.75 / 70	5.43 / 138	4.25 / 108	-	1 / 0.45
WBA-1004	WBA-1SS4	4 / 100	3.94 / 95	5.28 / 134	4	0.28 / 7	0.33 / 8	7.48 / 190	3.94 / 100	3.94 / 100	2.75 / 70	6.25 / 159	5.13 / 130	-	1 / 0.45
WBA-1005	WBA-1SS5	5 / 125	5.00 / 127	6.50 / 165	6	0.28 / 7	0.43 / 11	9.88 / 251	5.75 / 146	6.38 / 162	5.19 / 132	9.50 / 241	7.94 / 202	1.25 / 32	5 / 2.3

FAN/ARM SUPPORT BRACKET DIMENSIONS



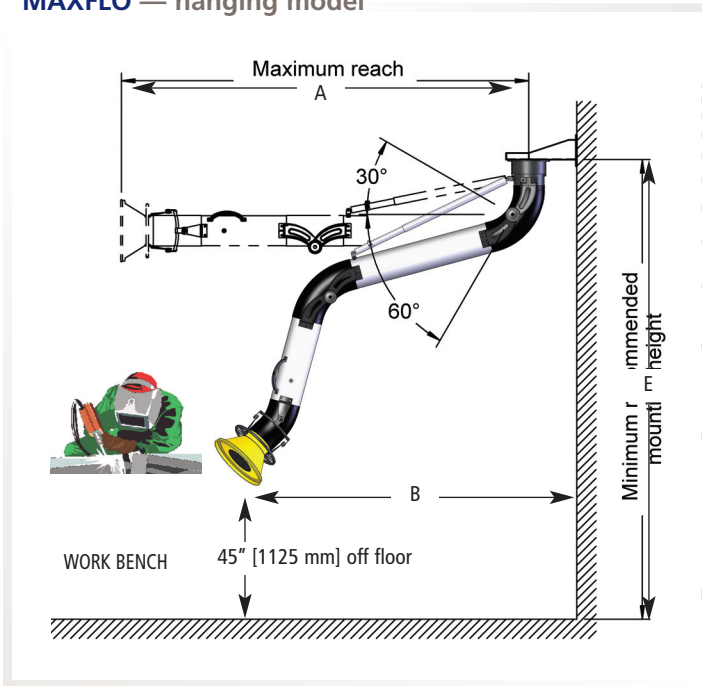
Bracket shown above is designed to support arm only, fan only or fan/arm arrangements.

CHART 8

Model		Dimensions [inches] / [mm]													Weight [lbs] / [kg]
Painted steel	Stainless steel	D1	D2	Nb	D3	D4	L	I	H	h	B	b	b1	i	
WBF-1006	WBF-1SS6	6.25 / 160	7.69 / 195	6	0.28 / 7	0.43 / 11	17.44 / 443	12.38 / 314	10 / 254	8.31 / 211	13.19 / 335	11.5 / 292	6.62 / 165	1.75 / 44	11 / 5
WBF-1008	WBF-1SS8	8 / 200	9.69 / 246	8	0.35 / 9	0.43 / 11	22.44 / 570	15.25 / 387	11.88 / 302	9.75 / 248	15.5 / 394	13.63 / 346	7.43 / 185	2 / 51	13 / 5.9

MAXFLO MAXIMUM REACH FOR HANGING/BENCH MOUNT MODELS

MAXFLO — hanging model



MAXFLO — Table/bench mount model

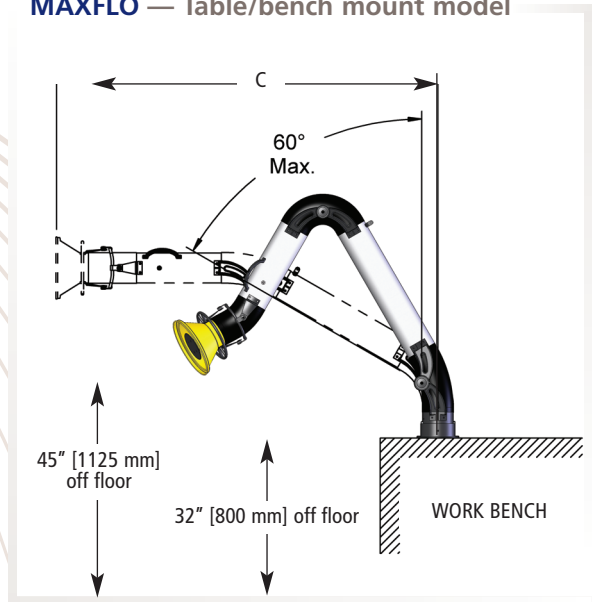
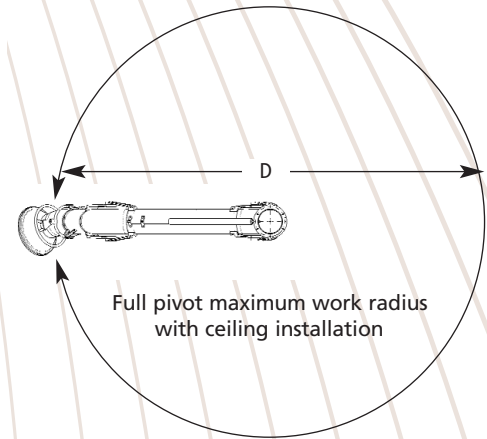
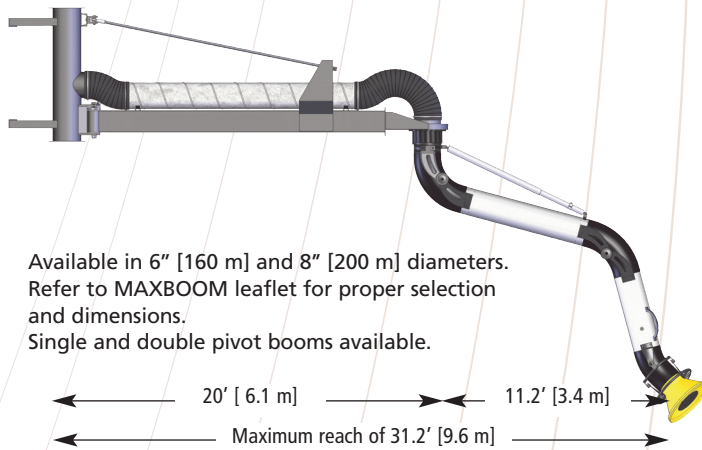


CHART 9

A Arm length [feet] / [m]	B Maximum reach at 45" off floor [feet] / [m]	C Maximum reach at 45" off floor [feet] / [m]	D Maximum reach at 45" off floor [feet] / [m]	E Recommended mounting height [feet] / [m]
3 / 0.9	2.6 / 0.7	3 / 0.9	5.2 / 1.4	5 / 1.5
5 / 1.5	3.5 / 1.1	5 / 1.5	7 / 2.2	6 / 1.8
7 / 2.1	5.5 / 1.7	7 / 2.1	11 / 3.4	6.5 / 2
8.5 / 2.6	7.4 / 2.2	7 / 2.1	14.8 / 4.4	7 / 2.1
10 / 3	8.5 / 2.6	7.8 / 2.4	17 / 5.2	7 / 2.1
14 / 4	11.2 / 3.4	10.2 / 3.2	22.4 / 6.8	8 / 2.4



MAXFLO MAXIMUM REACH WITH EXTENSION BOOMS



Available in 6" [160 mm] and 8" [200 mm] diameters. Refer to MAXBOOM leaflet for proper selection and dimensions. Single and double pivot booms available.

*Source capture
has never been
so easy...
and efficient*



Please call 800-264-8958

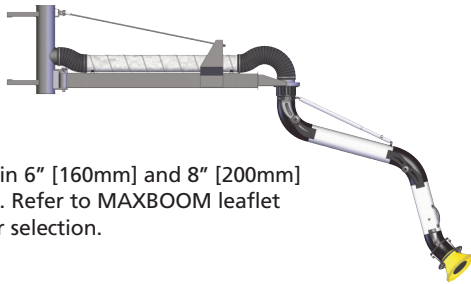
MAXFLO SINGLE FUME ARM AND FAN ARRANGEMENT



Available in all diameters

Typical installation of source capture arm for exhaust

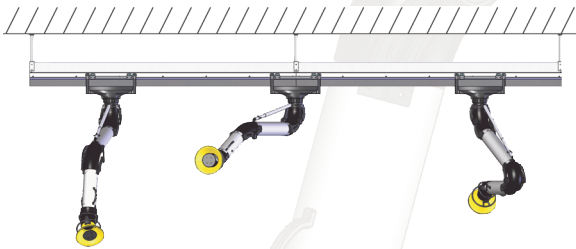
MAXFLO FUME ARM AND EXTENSION BOOM ARRANGEMENT



Available in 6" [160mm] and 8" [200mm] diameters. Refer to MAXBOOM leaflet for proper selection.

Typical installation of source capture arm with extended reach

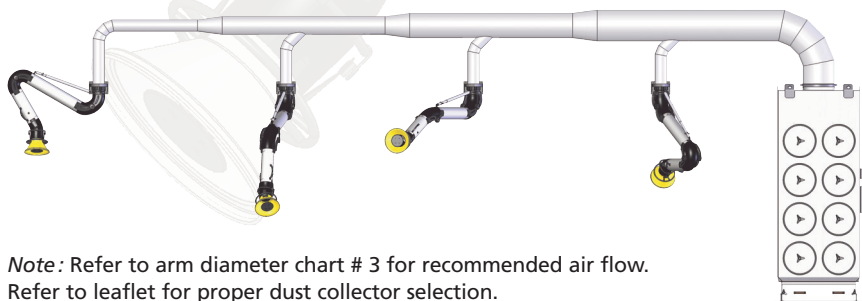
MAXFLO FUME ARM AND DUCT/TROLLEY SYSTEM



Available trolleys for 3' [75mm], 4" [100mm], 5" [125mm] and 6" [160mm] arms.

Typical installation of source capture arms with sliding trolley

MAXFLO FUME ARM WITH DUST COLLECTOR ARRANGEMENT



Note: Refer to arm diameter chart # 3 for recommended air flow. Refer to leaflet for proper dust collector selection.

Typical installation of source capture arms and filtration

24 VOLTS – 35 WATTS HALOGEN LIGHT KIT MOUNTING MODELS

Light kit (only) model FA-0000-71L
 Fan switch (only) model FA-0000-71F
 Light and fan switch model FA-0000-71LF

Optional hood stainless steel mesh protection model HW-WMSS1/2



Magnet base aluminum fume exhaust hoods used with flexible hose for source capture. Available in 3", 4", 5", 6", 8" inlet diameters



Electrical note: Transformer and/or starter for light kit and fan operation not included. Contact factory for proper selection and model number.

Note: Light kit and fan switch are not recommended for stainless steel fume arm with wash down preventive maintenance.

Note: Diverter and light kit assembly not available on 3" arms. Fan start/stop switch available.

Options: air volume damper, inlet stainless steel mesh, flexible hoses for duct connection

MAXFLO FUME ARM EXTENSIONS AND FLOOR POSTS

Vertical floor posts



Models	Height [feet] / [m]	
VFP-107	7/2.15	For arms 7' / 2.15 [m] long and less
VFP-108	8 / 2.6	For arms 8.5' & 10' / 2.7 & 3' [m] long
VFP-110	10 / 3.1	For arms 14' / 4.3 [m] long

When ordered add suffix digits according to arm diameter
 Ex.: VFP-108-06 refers to 6" diameter arm

Ceiling support extensions



Models	Height [inches] / [mm]
CSE-130	30 / 750
CSE-136	36 / 900
CSE-142	42 / 1050

When ordered add suffix digits according to arm diameter
 Ex.: CSE-136-06 refers to 6" diameter arm

Horizontal fixed extensions



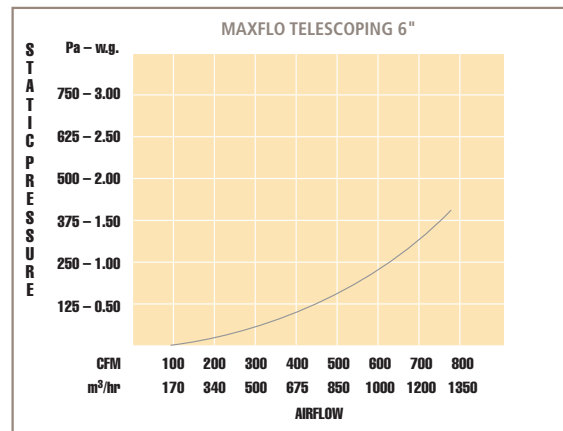
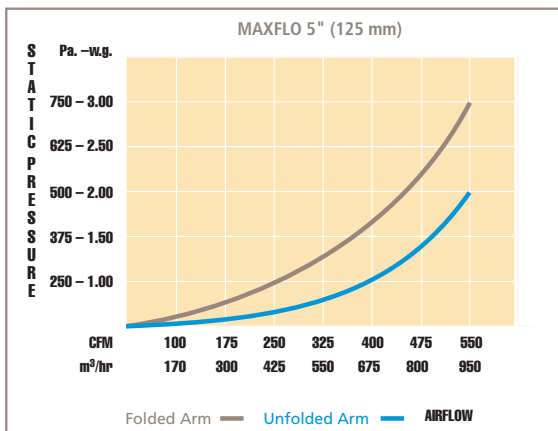
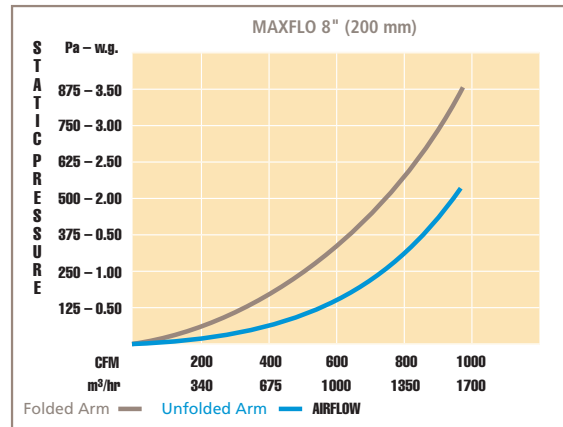
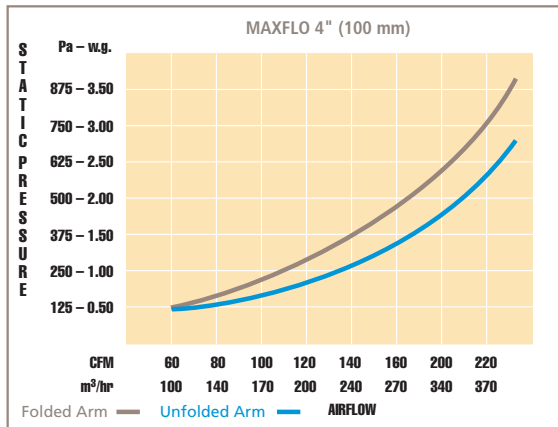
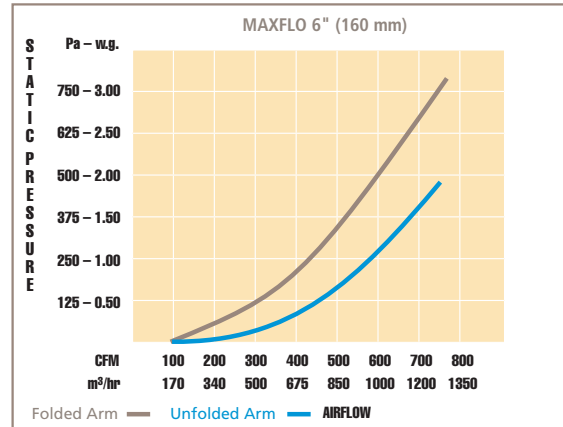
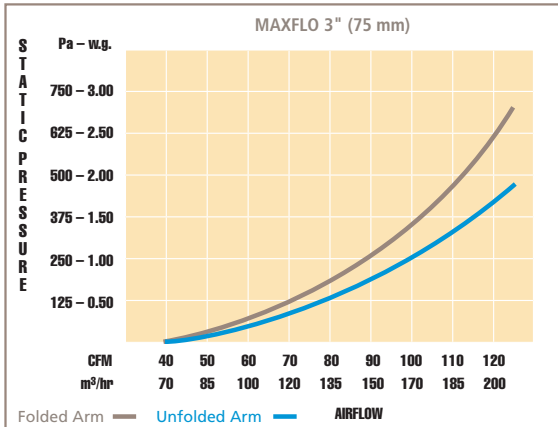
Models	Length [feet] / [m]
HFE-102	2 / 0.6
HFE-104	4 / 1.25

When ordered add suffix digits according to arm diameter
 Ex: HFE-104-06 indicates for 6" diameter arm

Installation note: Refer to local building laws prior to installation. Support structure has to meet sturdiness and weight of equipment.

Please call 800-264-8958

STATIC PRESSURE & AIRFLOW



Note: MAXFLO fume arms are available in different lengths but have minimal variation in static pressure curves indicated above.

OPTIONS

- Halogen light kits (24 V. / 35 watt)
- Fan and light control switch on the hood
- High temperature or F.D.A. hoses at joints
- Horizontal fixed extensions
- Vertical floor posts
- Ceiling support extensions
- Extension booms (up to 20' / 6m)
- Protective wire mesh in hood
- Fan mounted above arm bracket
- Larger or custom inlet hoods
- Custom colors (minimum quantities required)
- Grounding wire for static discharge on P.V.C. tubes

CREATE YOUR MAXFLO FUME ARM SPECIFICATION

1. Fume arm should include an air volume damper with handle on hood tube (standard) and should include an air diverter within the hood to increase inlet velocity (except on 3" arms).
2. Fume arm should include a circular grab handle around the hood for positioning of the arm and a secondary hood tube grab handle for 5", 6" and 8" [125 – 160 and 200 mm] diameter arms.
3. Fume arm will be supplied with an encapsulated recoil spring for 7', 10' and 14' [2, 3 and 4 m] arms.
4. **FUME ARM SHOULD BE:**
 - A) Hanging model
 - B) Bench mount model
5. **FUME ARM SHOULD HAVE DIAMETER OF:**
 - A) 3" [75mm] with 7" [175mm] hood
 - B) 4" [100mm] with 8" [200mm] hood
 - C) 5" [125mm] with 10" [250mm] hood
 - D) 6" [160mm] with 13" [325mm] hood
 - E) 8" [200mm] with 13" [325mm] hood

3" [75mm] fume arm should have length of:

 - A) 3' [0.9m]
 - B) 5' [1,5m]

4" [100mm] fume arm should have length of:

 - A) 5' [1,5m]
 - B) 7' [2,1m]
 - C) 8, 5' [2,5m]

5", 6" and 8" [125, 160 and 200mm] fume arm should have length of:

 - A) 7' [2m]
 - B) 10' [3m]
 - C) 14' [4m]
6. **FUME ARM SHOULD BE TELESCOPIC TYPE (6" ONLY):**
 - A) 48" [1200mm] to 60" travel [1500mm]
 - B) 48" [1200mm] to 72" travel [1800mm]
 - C) 72" [1800mm] to 96" travel [2400mm]
7. **FUME ARM SHOULD HAVE EXTERIOR JOINTS MADE OF STAMPED STEEL FOR:**
 - A) 3" [75mm] arm
 - B) 4" [100mm] arm

FUME ARM SHOULD HAVE EXTERIOR JOINTS MADE OF CAST ALUMINIUM FOR:

 - A) 5" [125mm] arm
 - B) 6" [160mm] arm
 - C) 8" [200mm] arm
8. **FUME ARM TUBES SHOULD BE CONSTRUCTED OF:**
 - A) powder coat painted steel
 - B) 304 luster finish stainless steel
 - C) 316 brushed finish stainless steel
 - D) P.V.C. (painted tubes)
 - E) aluminum (painted or bare tubes)
9. **FUME ARM WILL BE SUPPLIED WITH:**
 - A) powder coat painted steel bracket
 - B) 304 stainless steel support bracket
 - C) 316 stainless steel support bracket
10. **FUME ARM HOSES WILL BE:**
 - A) cotton neoprene 250 °F [120 °C] hose
 - B) silicone fibreglass high temperature 600 °F [315 °C] hose
 - C) teflon silicone 850 °F [450 °C] hose
 - D) F.D.A. hose
11. **FUME ARM WILL BE SUPPLIED WITH:**
 - A) halogen light kit 24 volts, 35 watts and switch model 71122L.
 - B) fan control switch 24 volts model 71122F
 - C) halogen light kit 24 volts, 35 watts with switch and fan control switch model 71222LF.
 - D) regular fan starter
 - E) fan starter for arm with light kit and fan switch
 - F) wide screen mesh in hood
12. Fume arm hood should have a diameter of: 15" for 5" arms, 20" for 6" and 8" diameter arms in lieu of standard hood

Note: Specifications listed above may be modified to suit application. Contact D.A.S. or representative for information.

Diversified Air Systems, Inc.

10801 Electron Drive, Louisville, Kentucky 40299

Toll free: **(800) 264-8958**

Tel.: **(502) 267-0333** • Fax: **(502) 267-4241**

Website: www.diversair.com • email: info@diversair.com